

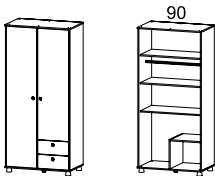
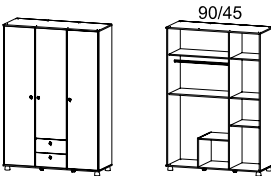


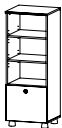
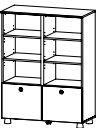


| Front/Carcase, applications | Colour no. |
|--|------------|
| alpine white, applications theme print | AA088 |






alpine white

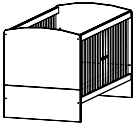
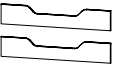
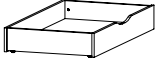
■ For information on extras available for robes, see **ACCESSORIES PE**.

| | | Front/Carcase, applications | Colour no. |
|--|---|--|--|
| | | alpine white, applications theme print | AA088 |
| WARDROBES | | | |
| Hinged door robes. Handles aluminim colour. | | | |
| For informations on extras available for robes, see ACCESSORIES PE. |  | |  |
| | hinged door wardrobe | | hinged door wardrobe |
| | 2-door, 2 drawers | | 3-door, 2 drawers |
| | ↔ 92 cm ↓ 199 cm ↗ 53 cm | | ↔ 136 cm ↓ 199 cm ↗ 53 cm |
| Article | Price | 040E | 040H |

| MATCHING PIECES | | | |
|------------------------------------|---|-------------|---|
| Shelves. Handles aluminium colour. | | | |
| |  | |  |
| | shelf unit | | shelf unit |
| | ↔ 47 cm ↓ 123 cm ↗ 42 cm | | ↔ 93 cm ↓ 123 cm ↗ 42 cm |
| | | |  |
| | | |  |
| | | | with hook |
| | | | ↔ 92 cm ↓ 34 cm ↗ 20 cm |
| Article | Price | 8401 | 8402 |
| | | | 8989 |

| MATCHING PIECES | | | |
|--|---|--|---|
| Changing unit. Handles aluminium colour. | | | |
| |  | |  |
| | changing unit | | shelf unit |
| | 1-door, hinged right, 3 drawers | | |
| | ↔ 93 cm ↓ 95 cm ↗ 78 cm | | ↔ 23 cm ↓ 83 cm ↗ 40 cm |
| | | <p>PLEASE NOTE!</p> <p>For the changing unit a wall mounting is required.</p> <p>Combination example for the shelf unit (mounted one-sided or two-sided).</p> | |
| | |  | |
| Article | Price | 040Q | 628R |

| | |
|--|-------------------|
| Front/Carcase, applications | Colour no. |
| alpine white, applications theme print | AA088 |

| BEDS | | Cot | | | <p>PLEASE NOTE!</p> <p>The cot can easily be transformed to a child's bed by using extra bed panels.</p> | | | |
|----------------|--------------|---|---|--|---|---|--|--|
| | |  |  | | |  | | |
| | | cot | pair of bed sides | | | bedding box on rollers | | |
| | | 3 times height-adjustable | | | | | | |
| | | 70/140 ↔ 77 cm ↓ 89 cm ↗ 145 cm BG 70 | ↔ 141 cm ↓ 24 cm ↗ 2 cm | | | ↔ 59 cm ↓ 16 cm ↗ 108 cm | | |
| Article | Price | 700Q | 770D | | 9901 | | | |

